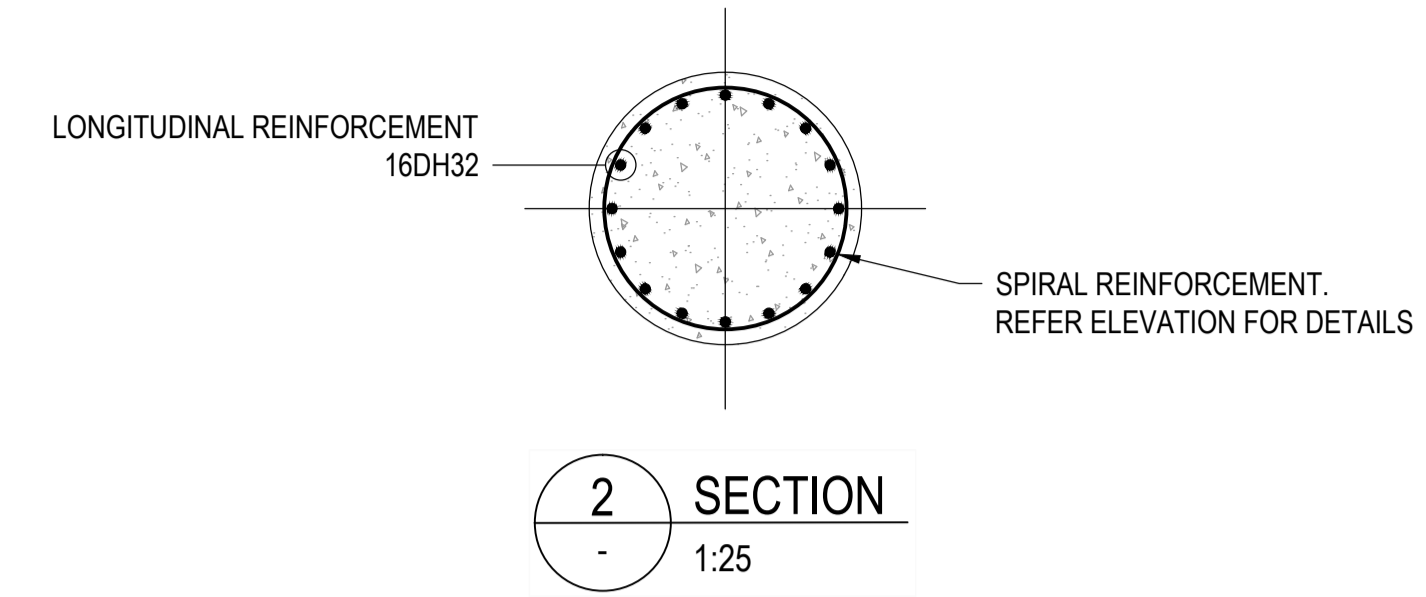
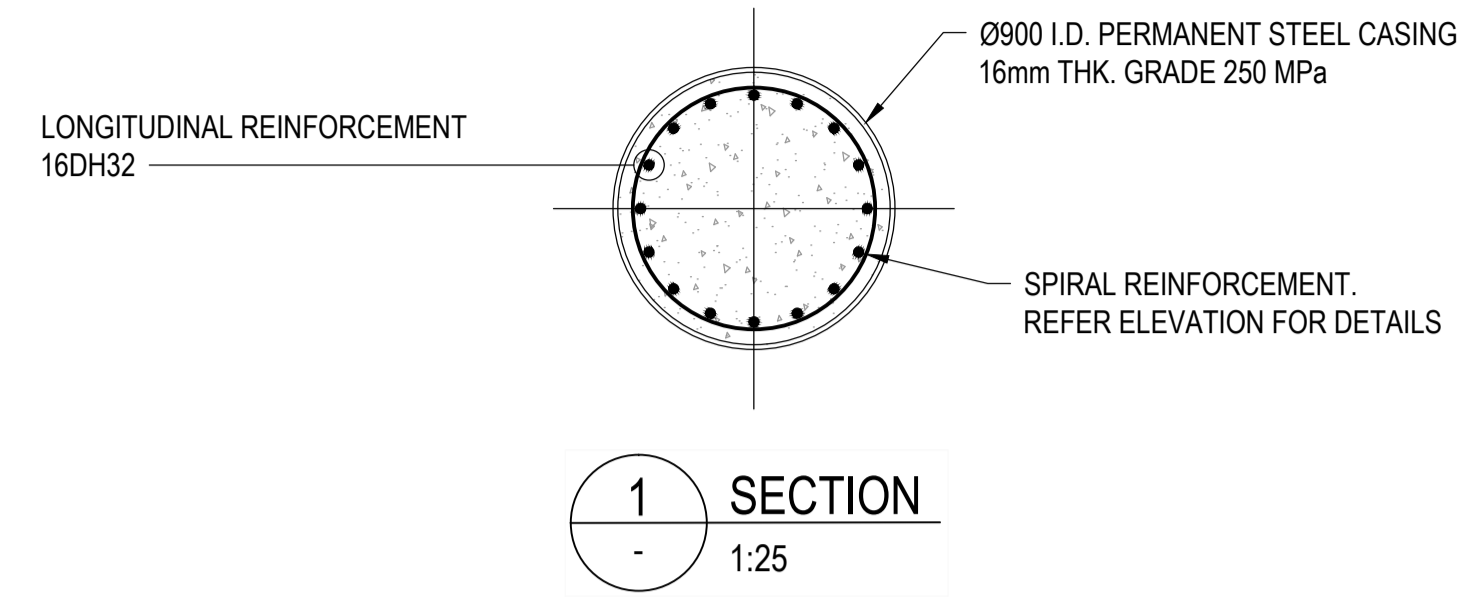
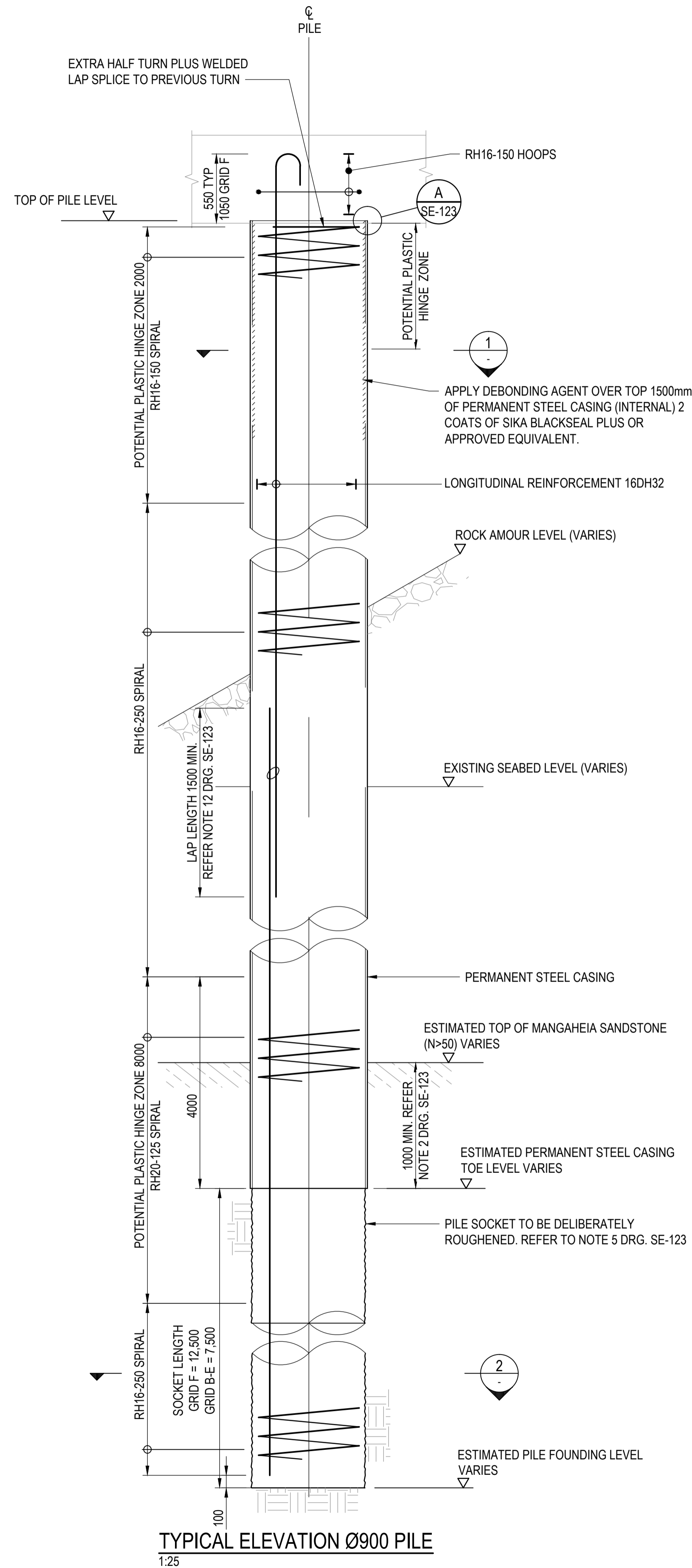


NOTES:

1. REFER TO DRG. No. SE-101 FOR GENERAL NOTES.
2. REFER TO DRG. No. SE-123 FOR PILE GENERAL NOTES.



TYPICAL ELEVATION Ø900 PILE
1:25

RESOURCE CONSENT
NOT FOR CONSTRUCTION

No.	Revision	By	Chk	Appd	Date
B	PRELIMINARY DESIGN ISSUE	GM	SJL		14.07.16
A	FOR REVIEW	NP	SJL		27.05.16



Original Scale (A1)	Design	S.LEE	14.07.16	Approved For Construction*
1:25	Drawn	N.PEERS	14.07.16	
Reduced Scale (A3)	Design Verifier	S.LEE	14.07.16	
1:50	Design Check	S.LEE	14.07.16	

* Refer to Revision 1 for Original Signature



Client:	6 WHARF DEVELOPMENT
---------	---------------------

Title:	PILE DETAILS SHEET 2
--------	----------------------

Discipline:	STRUCTURAL
Drawing No.:	3124410-SE-124
Rev.:	B